

Dipped Radial Capacitors



Tape and Reel Packaging

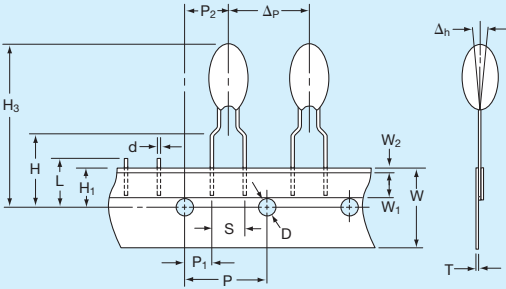
SOLID TANTALUM RESIN DIPPED TAP/TEP

TAPE AND REEL PACKAGING FOR AUTOMATIC COMPONENT INSERTION

TAP/TEP types are all offered on radial tape, in reel or 'ammo' pack format for use on high speed radial automatic insertion equipment, or preforming machines.

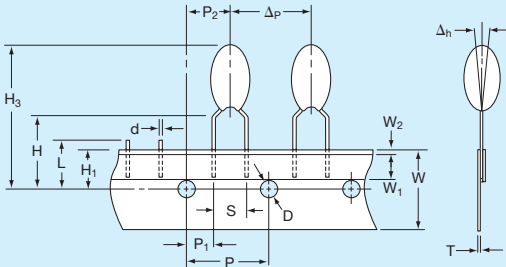
The tape format is compatible with EIA 468A standard for component taping set out by major manufacturers of radial automatic insertion equipment.

TAP/TEP – available in three formats. See page 142 for dimensions.



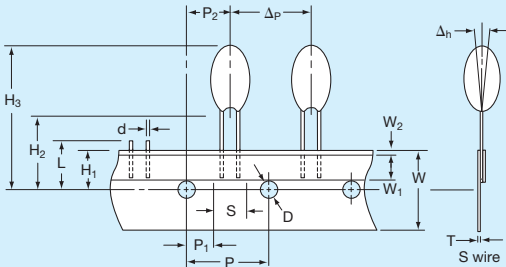
'B' wires for normal automatic insertion on 5mm pitch.

BRW suffix for reel
BRS suffix for 'ammo' pack
Available in case sizes A - J



'C' wires for preforming.

CRW suffix for reel
CRS suffix for 'ammo' pack
Available in case sizes A - R



'S' and 'D' wire for special applications, automatic insertion on 2.5mm pitch.

SRW, DTW suffix for reel
SRS, DTS suffix for 'ammo' pack
Available in case sizes A - J

Dipped Radial Capacitors



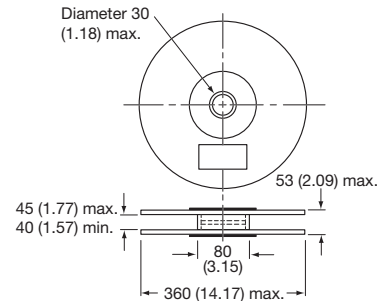
Tape and Reel Packaging

SOLID TANTALUM RESIN DIPPED TAP/TEP

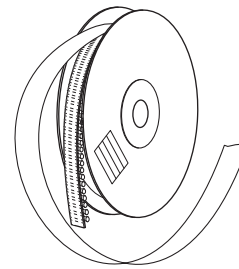
CASE DIMENSIONS: millimeters (inches)

| Description | Code | Dimension |
|---------------------------------|----------------|--|
| Feed hole pitch | P | 12.7 ± 0.30 (0.500 ± 0.010) |
| Hole center to lead | P ₁ | 3.85 ± 0.70 (0.150 ± 0.030) to be measured at bottom of clench |
| | | 5.05 ± 1.00 (0.200 ± 0.040) for S wire |
| Hole center to component center | P ₂ | 6.35 ± 0.40 (0.250 ± 0.020) |
| Change in pitch | Δp | ± 1.00 (± 0.040) |
| Lead diameter | d | 0.50 ± 0.05 (0.020 ± 0.003) |
| Lead spacing | S | See wire form table |
| Component alignment | Δh | 0 ± 2.00 (0 ± 0.080) |
| Feed hole diameter | D | 4.00 ± 0.20 (0.150 ± 0.008) |
| Tape width | W | 18.0 + 1.00 (0.700 + 0.040) - 0.50 - 0.020) |
| Hold down tape width | W ₁ | 6.00 (0.240) min. |
| Hold down tape position | W ₂ | 1.00 (0.040) max. |
| Lead wire clench height | H | 16.0 ± 0.50 (0.630 ± 0.020) |
| | | 19.0 ± 1.00 (0.750 ± 0.040) on request |
| Hole position | H ₁ | 9.00 ± 0.50 (0.350 ± 0.020) |
| Base of component height | H ₂ | 18.0 (0.700) min. (S wire only) |
| Component height | H ₃ | 32.25 (1.300) max. |
| Length of snipped lead | L | 11.0 (0.430) max. |
| Total tape thickness | T | 0.70 ± 0.20 (0.030 ± 0.001) |
| | | Carrying card 0.50 ± 0.10 (0.020 ± 0.005) |

REEL CONFIGURATION AND DIMENSIONS: millimeters (inches)



Manufactured from cardboard with plastic hub.



Holding tape outside. Positive terminal leading.

PACKAGING QUANTITIES

For Reels

| Style | Case size | No. of pieces |
|------------|------------------|---------------|
| TAP TEP | A | 1500 |
| | B, C, D | 1250 |
| | E, F | 1000 |
| | G, H, J | 750 |
| | K, L, M, N, P, R | 500 |

For 'Ammo' pack

| Style | Case size | No. of pieces |
|------------|------------------|---------------|
| TAP TEP | A, B, C, D | 3000 |
| | E, F, G | 2500 |
| | H, J | 2000 |
| | K, L, M, N, P, R | 1000 |

For bulk products

| Style | Case size | No. of pieces |
|------------|-----------|---------------|
| TAP TEP | A to H | 1000 |
| | J to L | 500 |
| | M to R | 100 |

AMMO PACK DIMENSIONS

millimeters (inches) max.

Height 360 (14.17), width 360 (14.17), thickness 60 (2.36)

GENERAL NOTES

Resin dipped tantalum capacitors are only available taped in the range of case sizes and in the modular quantities by case size as indicated.

Packaging quantities on tape may vary by ±1%.