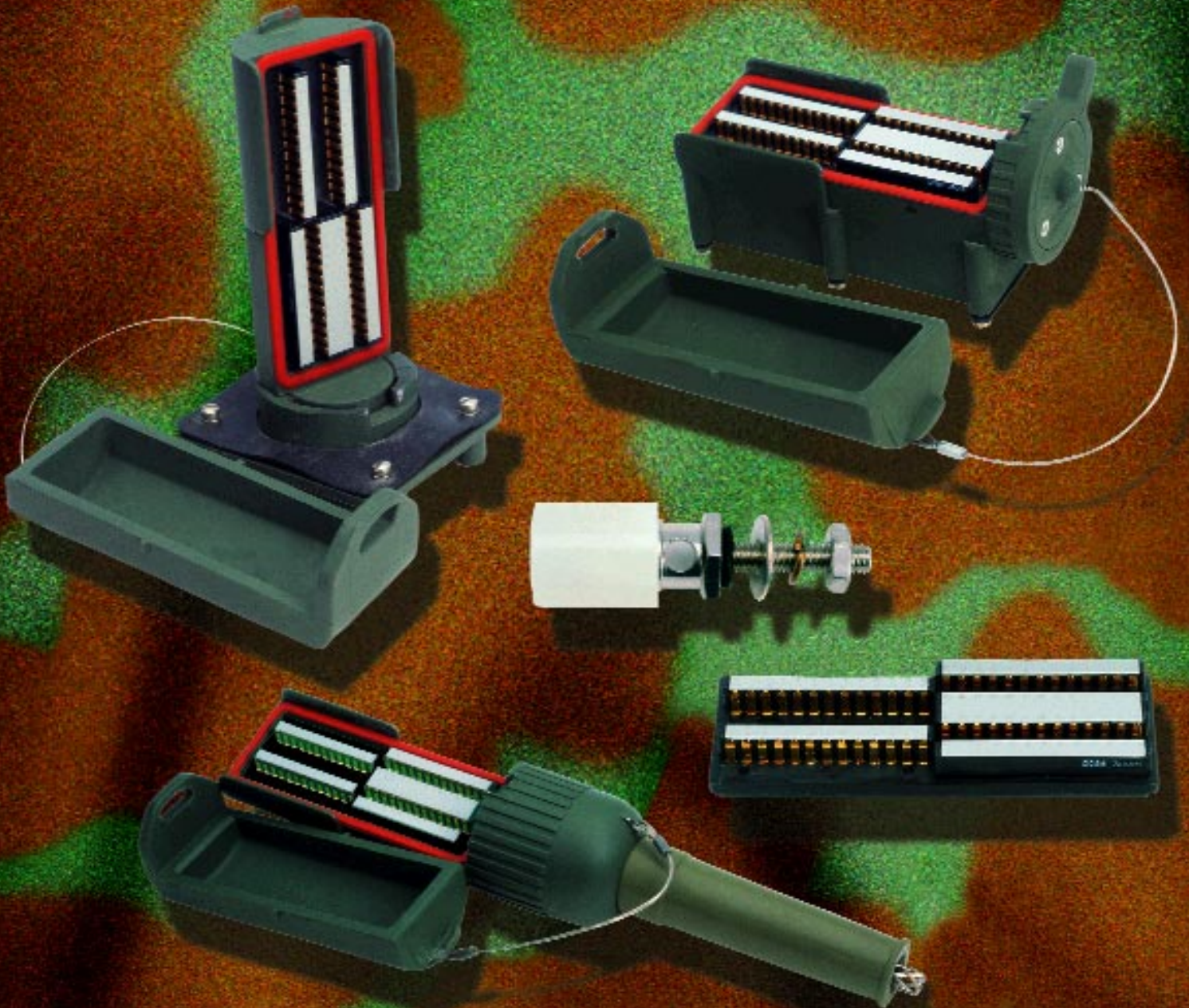


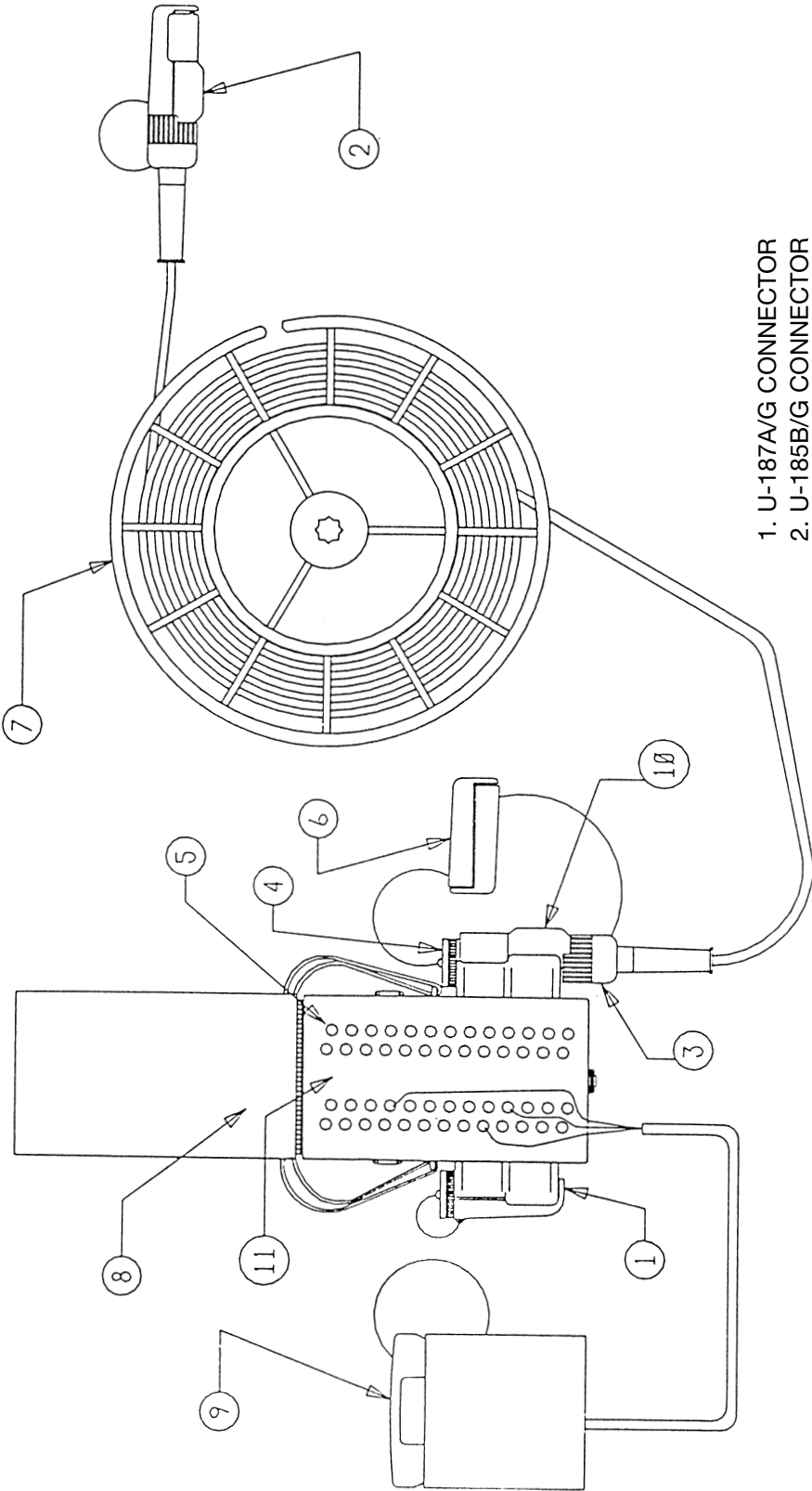
AVIX



**ELCO
Hermaphrocon Connecting
System**

MIL-C-55074

Hermaphrocon™ Connecting System

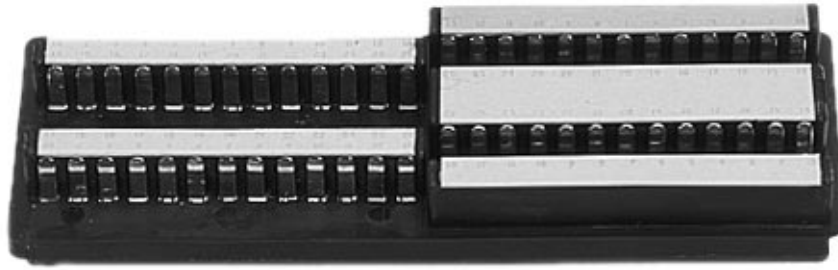


- 1. U-187A/G CONNECTOR
- 2. U-185B/G CONNECTOR
- 3. U/185 LOCKING CAM
- 4. U/187 LOCKING CAM
- 5. BINDING POST TERMINAL
- 6. PROTECTIVE COVERS
- 7. CABLE ASSEMBLY - NOT AVAILABLE
- 8. DISTRIBUTION BOX - NOT AVAILABLE
- 9. TELEPHONE CONNECTION - NOT AVAILABLE
- 10. U/185 - U/187 CONNECTION
- 11. DROP-LINE PANEL - NOT AVAILABLE

MX-3227/G



M55074/4-01 Hermaphrocon™ Connector



ELCO PART NUMBER

08 2260 9010 00 000

104 Position, 52 Circuit MX Contact Assembly

DESCRIPTION

The hermaphrocon connector has redundant circuitry assuring signal continuity. For each wire termination on the back of the connector, there are two contact positions on the face of the connector networked together. Hermaphrocon connectors are all identical and mate at 180 degrees into each other.

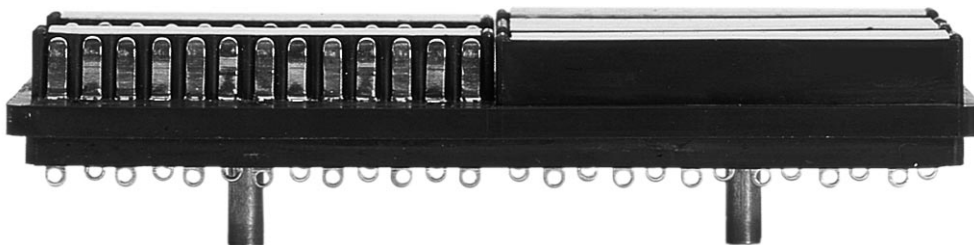
FEATURES

Basic size of the connector:
Length: 4.75 inches
Width: 1.75 inches
Height: 1.15 inches
Weight: .26 lbs.

52 circuits per connector with 104 contact positions. Circuit redundancy assures that a missing or damaged contact in the pair will not cause the connector to fail.

Identical male and female connectors mate 180 degrees into each other.

Cannot be mated improperly.



U-185B/G



M55074/1-01 Hermaphrocon Plug



ELCO PART NUMBER

08 2260 0110 00 000

Hermaphrocon Connector and Housing

DESCRIPTION

The U-185B/G plug is a hermaphrocon connector with a die cast aluminum shell. The U-185B/G plug is attached to the cable assemblies and mate and unmate to the receptacles or other plugs by a mechanical locking cam mechanism.

FEATURES

Basic size of connector and housing:
Length: 13.13 inches
Width: 2.44 inches
Height: 2.75 inches
Weight: 2.20 lbs.

Hermaphrocon circuit redundancy assures that a missing or damaged contact in the contact pair will not cause the connector to fail.

Mating and unmating by the mechanical cam mechanism on the connector housing also seals the housings during assembly.

Cannot be mated improperly.

Cast aluminum housings.



U-187A/G

M55074/3-01 Hermaphrocon Receptacle



ELCO PART NUMBER

08 2263 0110 00 000

Hermaphrocon Connector and Housing

DESCRIPTION

The U-187A/G side mount receptacle is a hermaphrocon connector with a die cast aluminum shell. The U-187A/G receptacle is wired and mounted to both distribution boxes and mate to the U-185B/G plug by a mechanical locking cam mechanism.

FEATURES

Basic size of connector and housing:
Length: 6.38 inches
Width: 2.38 inches
Height: 3.13 inches
Weight: 1.84 lbs.

Hermaphrocon circuit redundancy assures that a missing or damaged contact in the contact pair will not cause the connector to fail.

Mating and unmating by the mechanical cam mechanism on the connector housing also seals the housings during assembly.

Cannot be mated improperly.

Cast aluminum housings.



General Specifications



MX-3227/G, U-185B/G, U-186C/G, U-187A/G

Continuity: 1 ohm maximum impedance.

Dielectric Strength: No adjacent contact shorts when a 1000 volt source is applied.

Insulation Resistance: 1000 megohms minimum when 1000 volt source is applied.

Air Leakage: No air leaks when 15 PSI air is applied to the connector for 1 minute.

Contact Resistance: 7 millivolt drop maximum measured at like wire connection positions with a 3 amp source. Bulk resistance must be subtracted from the circuit resistance.

Immersion: Dielectric strength, insulation resistance following 16 hours of immersion at 3 feet.

Durability: Continuity, dielectric strength, insulation resistance, following 200 cycles of mating and unmating.

Shock Drop: Continuity, dielectric strength, and insulation resistance, air leakage, following 12 drops at 3 feet.

Vibration: Continuity, dielectric strength, and insulation resistance, air leakage, following vibration cycling.

High Humid./High Temp.: 10 megohm minimum insulation resistance following 5 days continuous exposure.

Temperature Cycling: Continuity, dielectric strength, and insulation resistance following extreme temperature cycling.

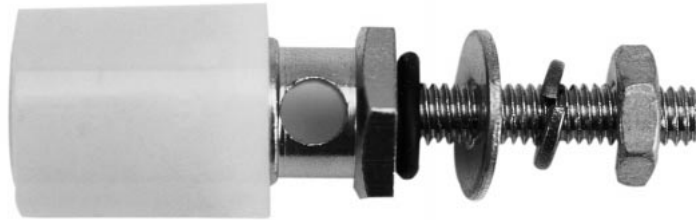
Current Rating: 3 amps at 400 volts.

Operating Range: 150 degrees F to -65 degrees F.

SC-C-136011



Binding Post Assembly



ELCO PART NUMBER

08 2264 0130 00 000

1.625", White Housing, W/ Hardware

VARIANCES ELCO PART NUMBERS

08 2264 0110 00 000

1.454", White Housing, W/ Hardware

08 2264 0120 00 000

1.454", White Housing, W/O Hardware

08 2264 0121 00 000

1.625", White Housing, W/O Hardware

DESCRIPTION

Depress the cap and insert a stripped tinned wire into the hole on top of the cap. When the cap is released the locking cam grasps the wire end ensuring a reliable connection.

FEATURES

Basic size of a binding post:
Diameter: .610 inches
Height: 1.95 inches

Quick wire connect and disconnect.

Wire connection is semi-permanent.

High reliability connection.

Easily mounted to a drop-line panel assembly.

SPECIFICATIONS

Durability: 200 compressions and relaxations minimum.

Holding Power: 10 pounds minimum pull following durability using a tinned 26 AWG wire.

NOTICE: Specifications are subject to change without notice. Contact your nearest AVX Sales Office for the latest specifications. All statements, information and data given herein are believed to be accurate and reliable, but are presented without guarantee, warranty, or responsibility of any kind, expressed or implied. Statements or suggestions concerning possible use of our products are made without representation or warranty that any such use is free of patent infringement and are not recommendations to infringe any patent. The user should not assume that all safety measures are indicated or that other measures may not be required. Specifications are typical and may not apply to all applications.

USA

AVX Myrtle Beach, SC Corporate Offices

Tel: 843-448-9411
FAX: 843-448-1943

AVX Northwest, WA

Tel: 360-669-8746
FAX: 360-699-8751

AVX North Central, IN

Tel: 317-848-7153
FAX: 317-844-9314

AVX Northeast, MA

Tel: 508-485-8114
FAX: 508-485-8471

AVX Mid-Pacific, CA

Tel: 408-436-5400
FAX: 408-437-1500

AVX Southwest, AZ

Tel: 602-834-7919
FAX: 602-834-8078

AVX South Central, TX

Tel: 972-669-1223
FAX: 972-669-2090

AVX Southeast, NC

Tel: 919-878-6357
FAX: 919-878-6462

AVX Canada

Tel: 905-564-8959
FAX: 905-564-9728

EUROPE

AVX Limited, England European Headquarters

Tel: ++44 (0)1252 770000
FAX: ++44 (0)1252 770001

AVX S.A., France

Tel: ++33 (1) 69.18.46.00
FAX: ++33 (1) 69.28.73.87

AVX GmbH, Germany - AVX

Tel: ++49 (0) 8131 9004-0
FAX: ++49 (0) 8131 9004-44

AVX GmbH, Germany - Elco

Tel: ++49 (0) 2741 2990
FAX: ++49 (0) 2741 299133

AVX srl, Italy

Tel: ++39 (0)2 665 00116
FAX: ++39 (0)2 614 2576

AVX sro, Czech Republic

Tel: ++420 (0)467 558340
FAX: ++420 (0)467 2844

ASIA-PACIFIC

AVX/Kyocera, Singapore Asia-Pacific Headquarters

Tel: (65) 258-2833
FAX: (65) 350-4880

AVX/Kyocera, Hong Kong

Tel: (852) 2-363-3303
FAX: (852) 2-765-8185

AVX/Kyocera, Korea

Tel: (82) 2-785-6504
FAX: (82) 2-784-5411

AVX/Kyocera, Taiwan

Tel: (886) 2-2516-7010
FAX: (886) 2-2506-9774

AVX/Kyocera, China

Tel: (86) 21-6249-0314-16
FAX: (86) 21-6249-0313

AVX/Kyocera, Malaysia

Tel: (60) 4-228-1190
FAX: (60) 4-228-1196

Elco, Japan

Tel: 045-943-2906
FAX: 045-943-2910

Kyocera, Japan

Tel: (81) 75-593-4518
FAX: (81) 75-502-2705

Contact:



<http://www.avxcorp.com>