

Series 8014

Elco has introduced a new, metric version of the famous Varicon connector. The wire to board 8014 series is available in 50 or 64 positions and suitable for use in a VME front plate.

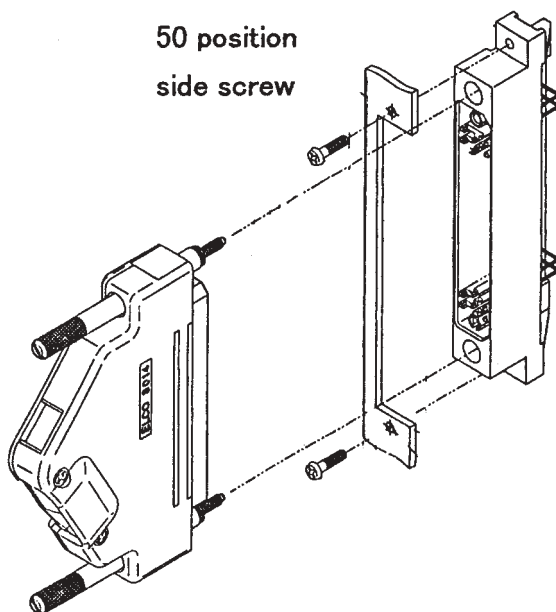
The Varicon contact is well known for high reliability and durability under all conditions. Contacts are specified at 2 amps and low contact resistance. In the 8014 series, the familiar hermaphroditic contact is shrouded on both sides to protect and guide the contact to a perfect mating. Board termination is right angle or vertical to plated through holes. The connectors have actuating screws to assist mating and unmating and to provide secure attachment. The covers have integral cable clamps. The 50 position cover is plastic and 64 position is die cast aluminum.

TECHNICAL SPECIFICATIONS

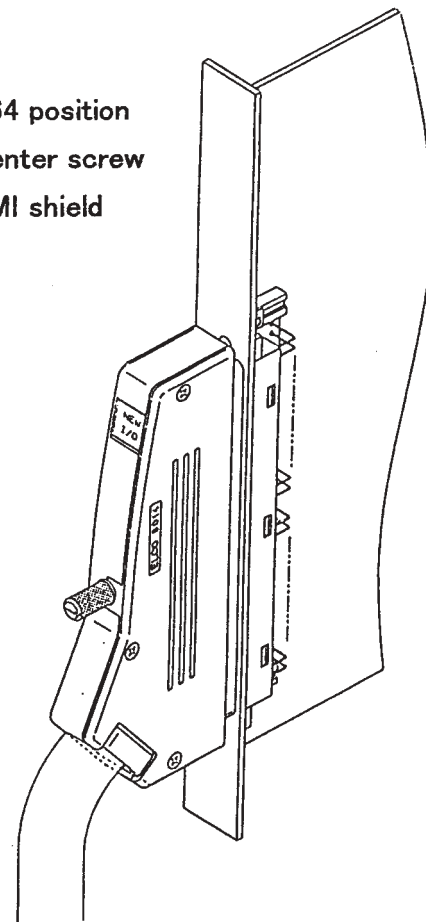
Number of Contacts: 50, 64	Dielectric Withstanding Voltage: 2000V rms/min.
Contact Spacing: 4.0mm	Durability: 200 cycle
Current Rating: 2Amp/pin	Applicable Wire Size: AWG #18~#26
Voltage Rating: 125V	Operating Temperature: -55~+105°C

MATERIAL / FINISH

Insulator: Plug PBT Rec. PBT	Hardware: see individual drawing
Contact: Phosphor Bronze Finish / Gold over Nickel	



64 position
center screw
EMI shield



ORDERING CODE (64 pos. Center-Screw Type Plug)

10

8014

264

XXX

XXX

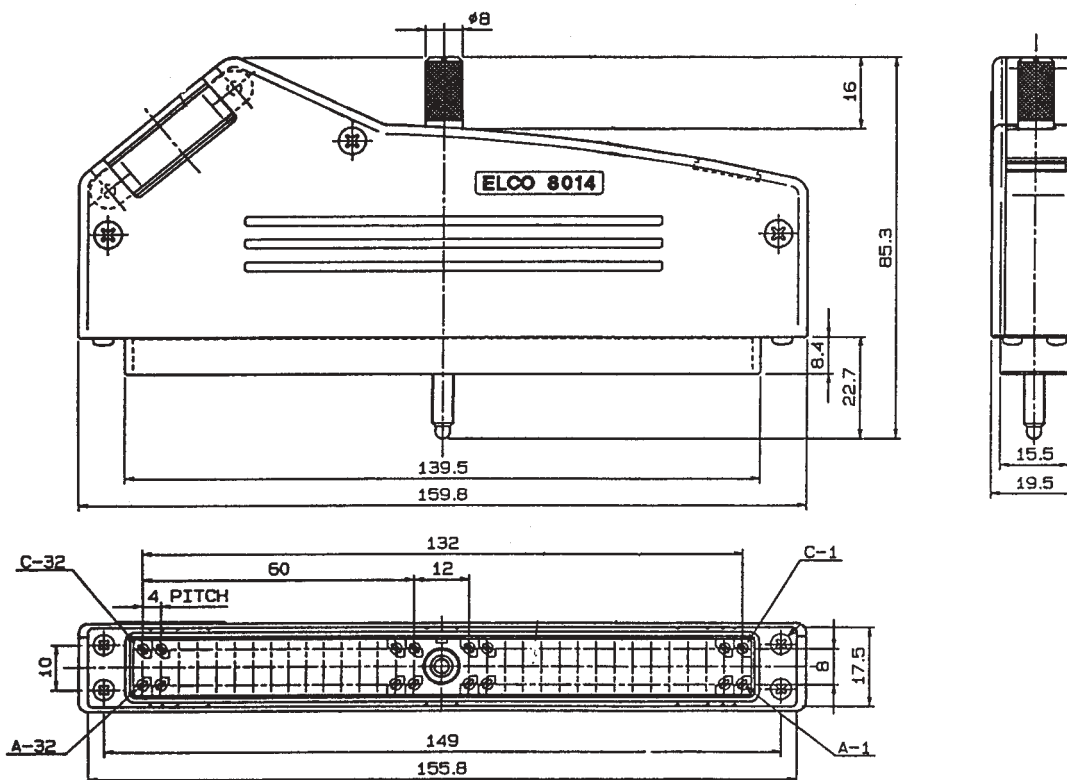
Variation 1 / Contact Code

- 000 = No contact loaded
- 100 = Wire crimp contact (loose pieces attached)
- 200 = Straight through hole

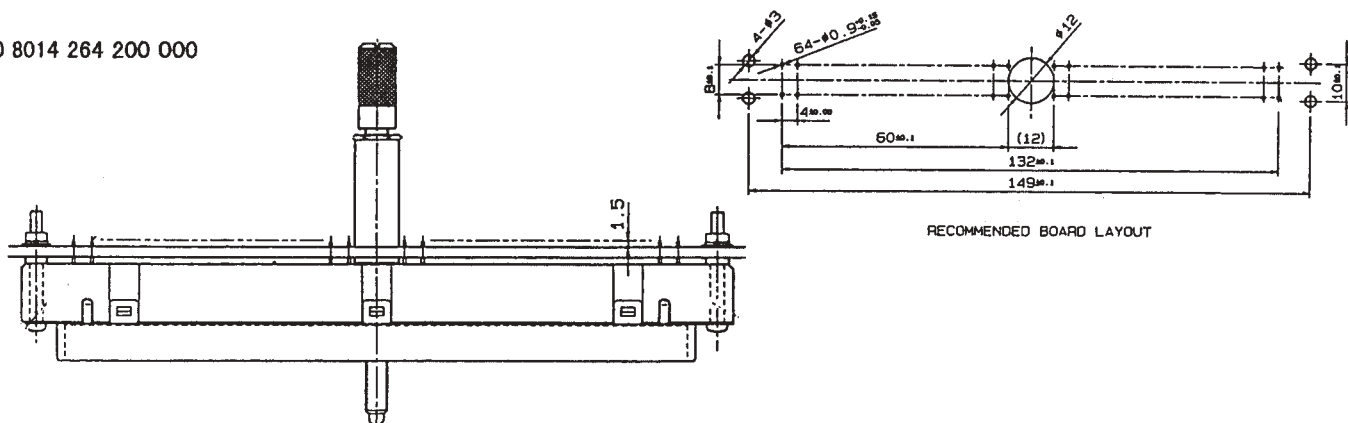
Variation 2 / Finish, Color

- 000 = without cover, center-screw, green insulator
- 100 = with cover, center-screw, green insulator

10 8014 264 100 100



10 8014 264 200 000



ORDERING CODE (64 pos. Center-Screw Type Receptacle)

20

8014

264

XXX

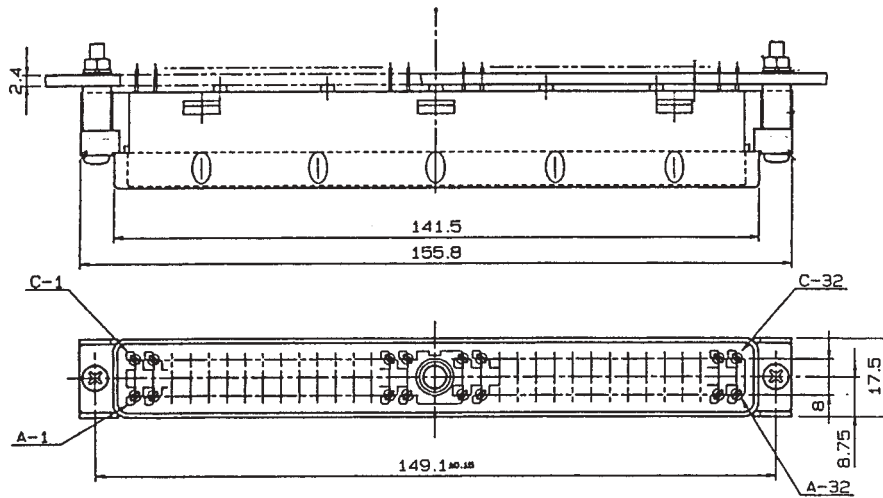
XXX

Variation 1 / Contact Code

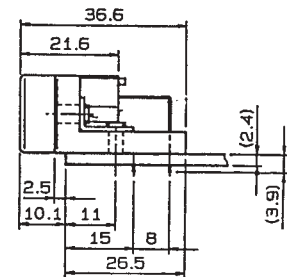
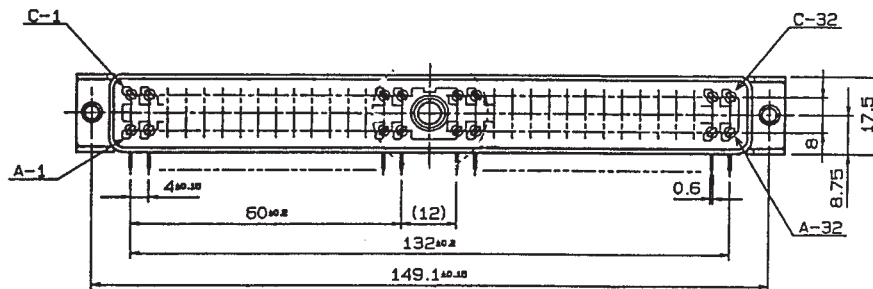
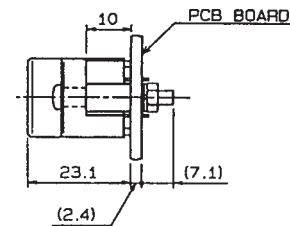
- 000 = No contact loaded
- 100 = Wire crimp contact (loose pieces attached)
- 200 = Straight through hole
- 999 = Right angle through hole

Variation 2 / Finish, Color

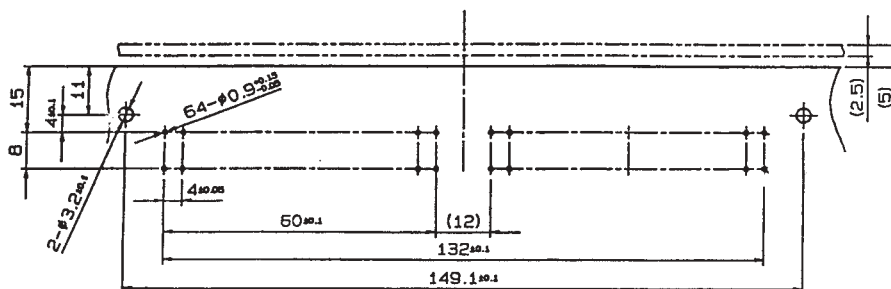
- 000 = R/A through hole, center lock nut, green insulator
- 100 = ST through hole, center lock nut, green insulator



20 8014 264 200 100



20 8014 264 999 000



RECOMMENDED BOARD LAYOUT t=2.4

Series 8014

ORDERING CODE (50 pos. Side-Screw, Plug)

10

8014

350

XXX

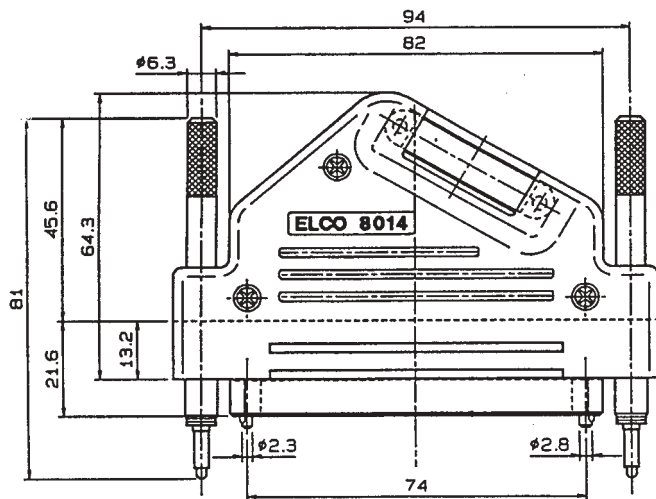
XXX

Variation 1 / Contact Code

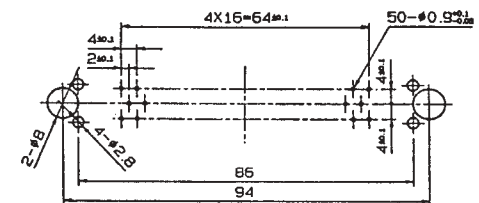
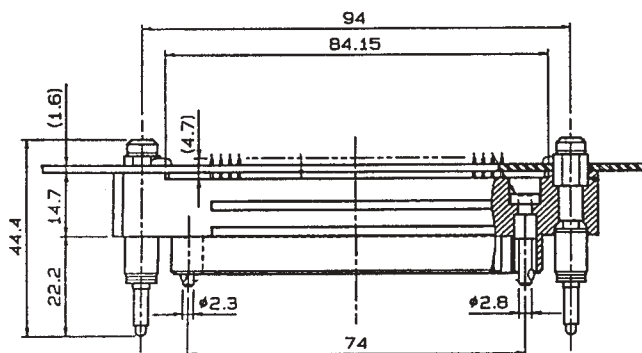
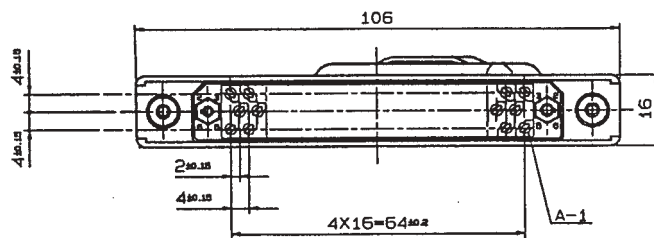
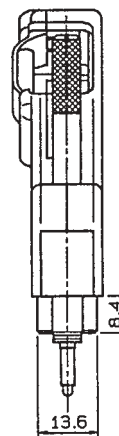
- 000 = No contact loaded
- 100 = Wire crimp contact (loose pieces attached)
- 200 = Straight through hole

Variation 2 / Finish, Color

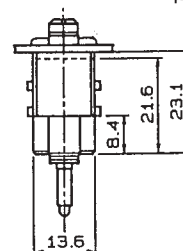
- 028 = Side-screw, gray insulator
- 128 = Side-screw, gray insulator with cover
- (038 = Side-short-screw, gray insulator. . . . special)



10 8014 350 100 128

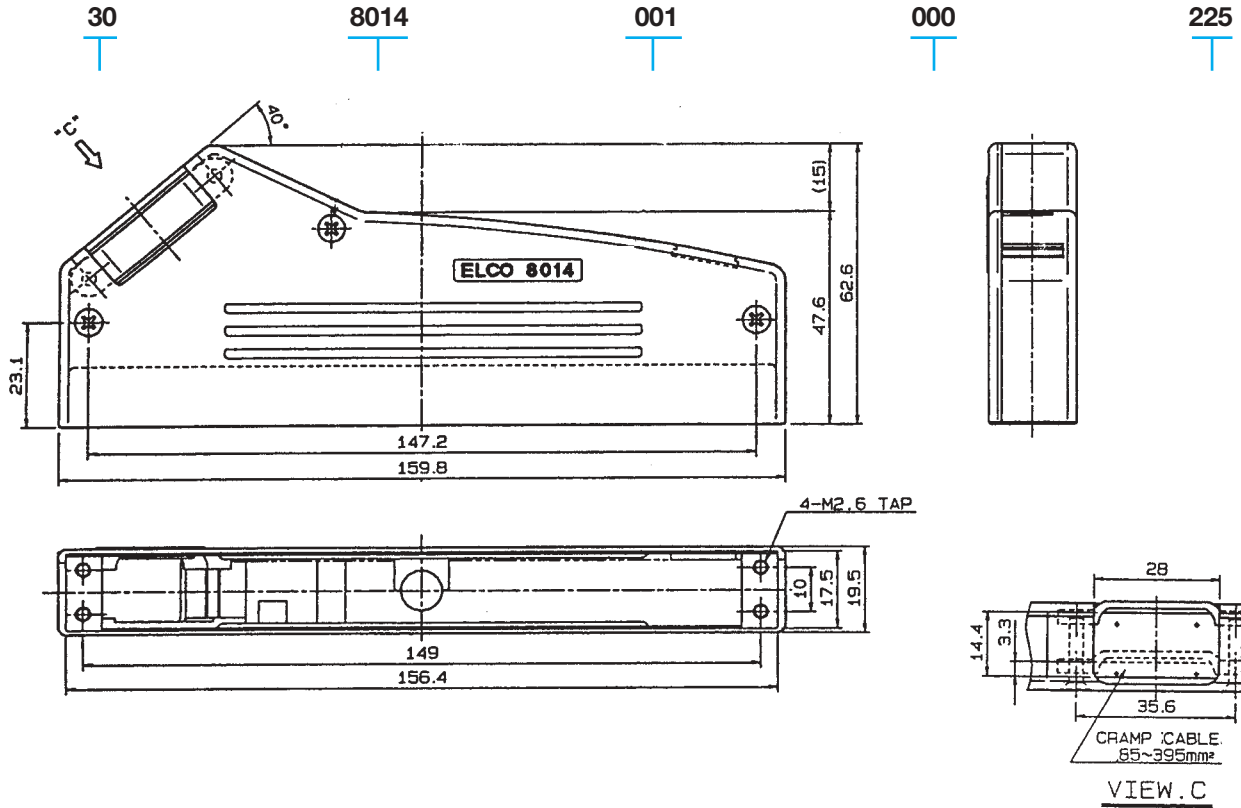


RECOMMENDED BOARD LAYOUT



10 8014 350 200 038

ORDERING CODE (Cover, 64 pos. Center-Screw, Aluminum Die Cast)



ORDERING CODE (50 pos. Side-Screw, Plastic (gray))

